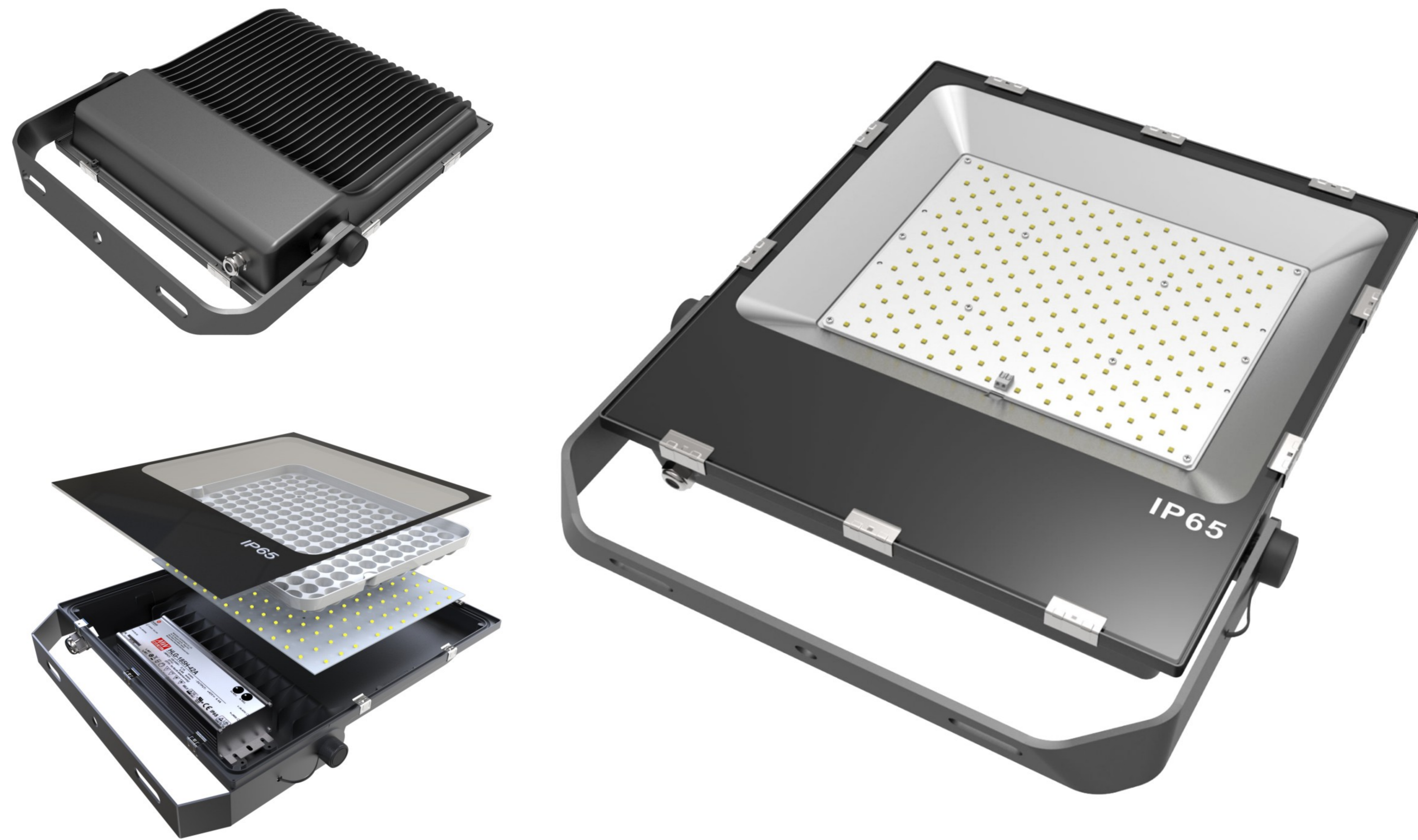


# LED Flood Light



## Case



## Technical Parameters



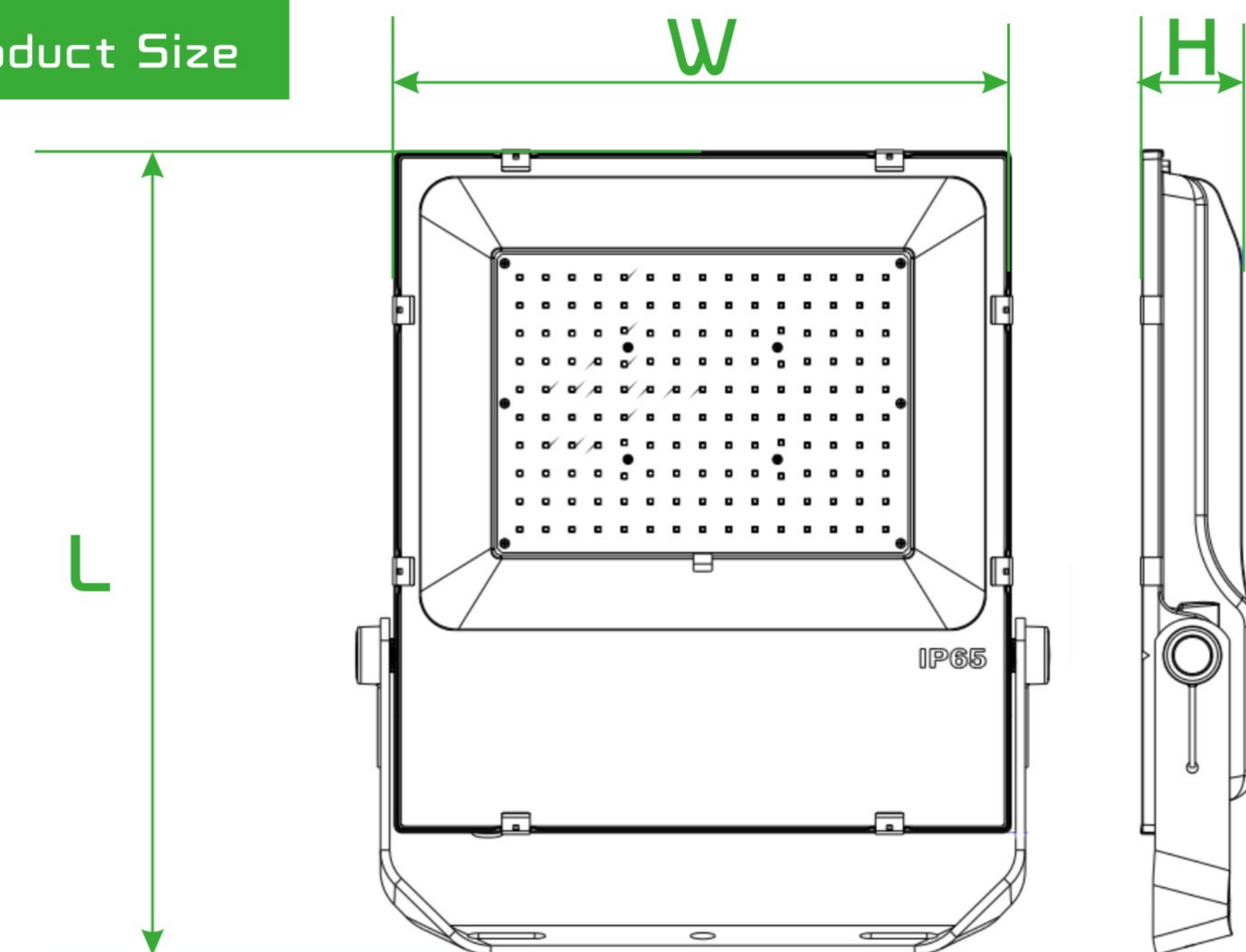
Model	Power	Luminous	Chips Qty	Input Voltage	IP Grade	Beam Angle	Product Size
KTFL2205-50	50W	6500LM	50PCS 3030	90-265VAC	Ip65	8/15/35/ 60/90/120	L310.5*W220 *H50 mm
KTFL2205-80	80W	10500LM	80PCS 3030	90-265VAC	Ip65	8/15/35/ 60/90/120	L354.5*W245 *H55 mm
KTFL2205-100	100W	13000LM	100PCS 3030	90-265VAC	Ip65	8/15/35/ 60/90/120	L402.5*W295 *H60 mm
KTFL2205-150	150W	19000LM	150PCS 3030	90-265VAC	Ip65	8/15/35/ 60/90/120	L430.5*W330 *H60 mm
KTFL2205-200	200W	25000LM	238PCS 3030	90-265VAC	Ip65	8/15/35/ 60/90/120	L470.5*W360 *H60 mm

Private mould, die-cast AL housing.

1-10V, PWM, DALI Dimmable available.

Meanwell Driver, Philips or Cree chips, 5 years warranty.

## Product Size



## Application

Widely used in lighting projects such as factories, workshops, warehouses, billboards, buildings, landscapes, high poles, courts, parking lots, Bridges and so on.